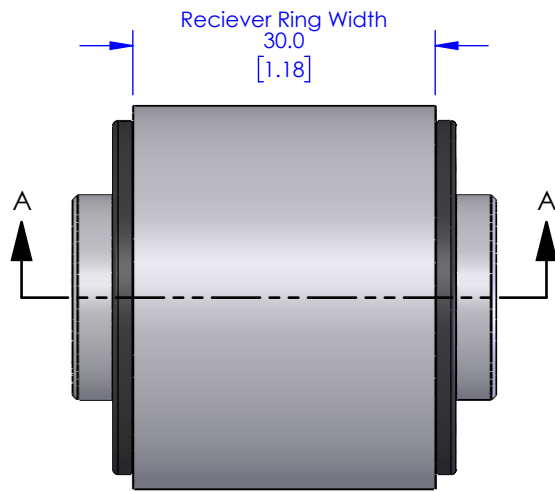
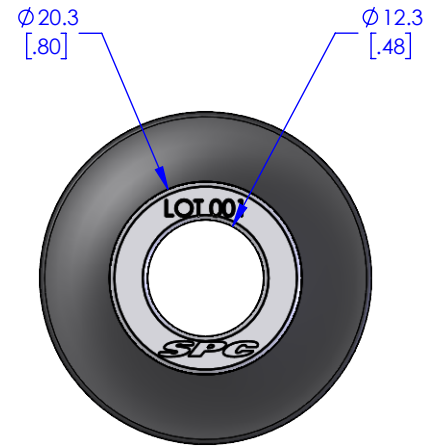
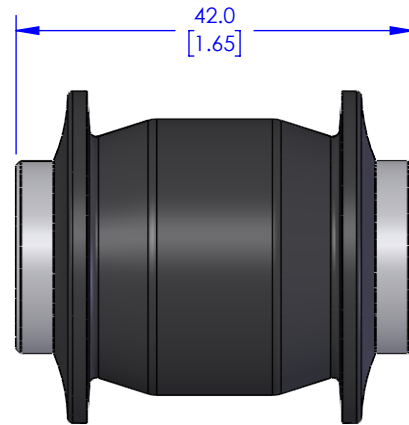


SECTION A-A



Reciever Ring Dimensions



Mounting Dimension

### Notes

- Natural rubber, hardness  $70 \pm 5$  durometer.
- Designed for 2-force members only. Do not use on A-arm style control arms.
- Recommend to pair with SPC x-Axis Flex Joint or similar.
- Reciever ring not included with bushing.
- Direct replacement bushings for 1996-2002 Toyota 4Runner rear track bar (2 per vehicle).



**Specialty Products Company**  
Longmont, Colorado USA • www.specprod.com

LINEAR mm[in] ANGLE (deg.)  
None±1.00 [.X ±.040"] None± 2.0°  
.X ±0.50 [.XX ±.020"] .X ± 1.0°  
.XX ±0.25 [.XXX±.010"] .XX ± 0.5°  
CONFORMS TO  
ASME Y14.5

**16115 Bushing, Single Bonded - Compression Fit**

MATERIAL: See Components

FINISH: See Components

MASS (g): 77.55

REV: **B**