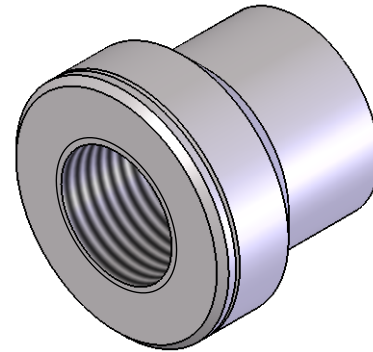
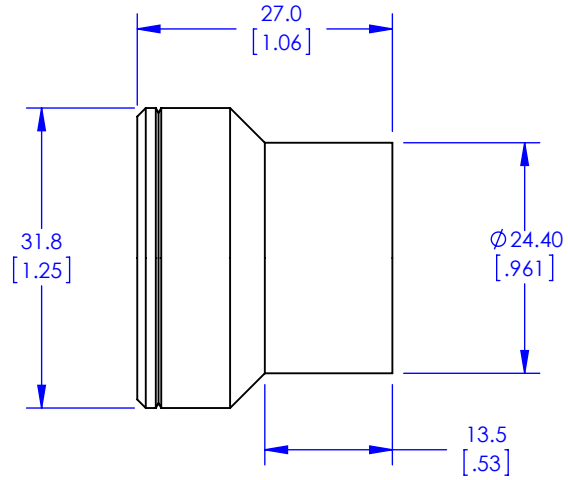


M18x1.5 - LH



Specialty Products Company
Longmont, Colorado USA • www.specprod.com

LINEAR mm[in]	ANGLE (deg.)
None±1.00 [X ±.040"]	None± 2.0°
.X ±0.50 [XX ±.020"]	.X ± 1.0°
.XX ±0.25 [XXX±.010"]	.XX ± 0.5°

CONFORMS TO
ASME Y14.5

15309

MATERIAL: Steel, Yield ≥ 345 MPa [50ksi]
FINISH: Light Oil