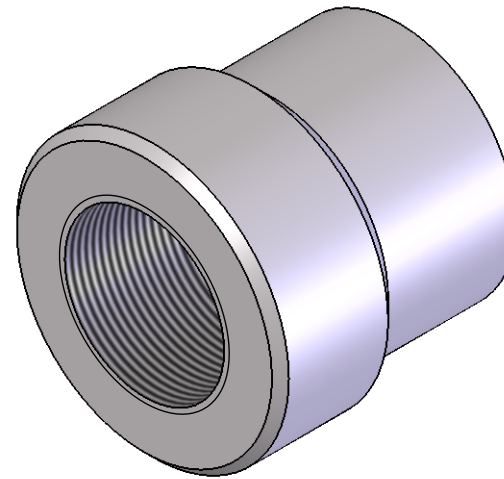
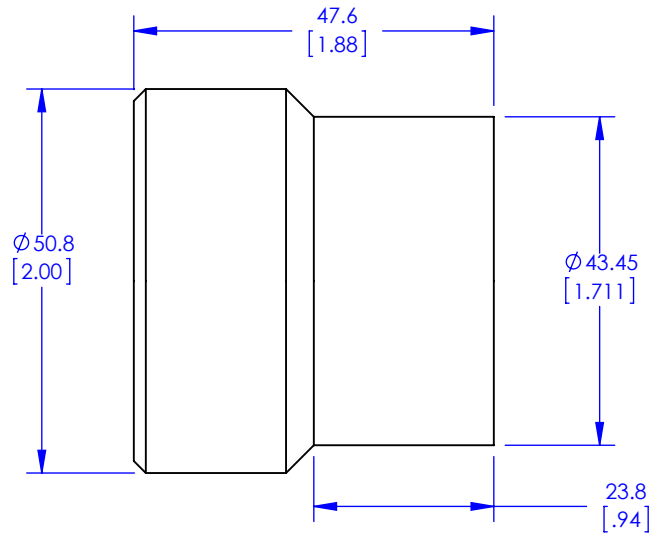


1-1/4"-12 - RH



Specialty Products Company
Longmont, Colorado USA • www.specprod.com

LINEAR mm[in]	ANGLE (deg.)
None ±1.00 [X ±.040"]	None ±2.0°
.X ±0.50 [XX ±.020"]	.X ±1.0°
.XX ±0.25 [XXX ±.010"]	.XX ±0.5°

CONFORMS TO
ASME Y14.5

15306

MATERIAL: Steel, Yield ≥ 345 MPa [50ksi]
FINISH: Light Oil