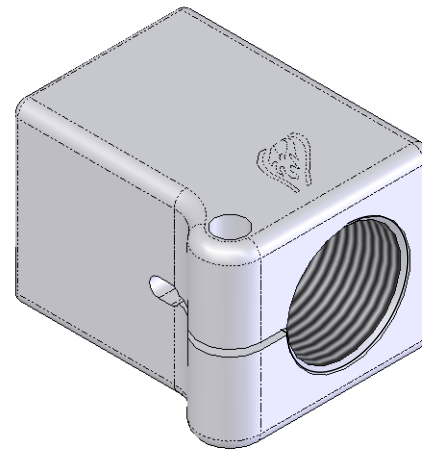


SECTION A-A



**Specialty Products Company**  
 Longmont, Colorado USA • [www.specprod.com](http://www.specprod.com)

LINEAR mm[in]	ANGLE (deg.)
None ±1.00 [X ±.040"]	None ± 2.0°
.X ±0.50 [XX ±.020"]	.X ± 1.0°
.XX ±0.25 [XXX ±.010"]	.XX ± 0.5°

CONFORMS TO  
 ASME Y14.5

**15130**

MATERIAL: 4140 PER SAE ASTM A 331  
 FINISH: None