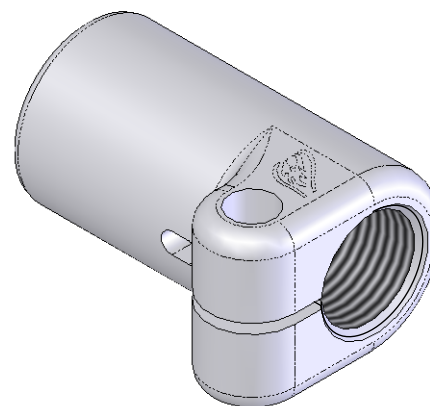


SECTION A-A



Specialty Products Company
 Longmont, Colorado USA • www.specprod.com

LINEAR mm[in]	ANGLE (deg.)
None ± 1.00 [X ± 0.040 "]	None $\pm 2.0^\circ$
.X ± 0.50 [XX ± 0.020 "]	.X $\pm 1.0^\circ$
.XX ± 0.25 [XXX ± 0.010 "]	.XX $\pm 0.5^\circ$

CONFORMS TO
 ASME Y14.5

15100

MATERIAL: 4140 PER SAE ASTM A 331
 FINISH: None