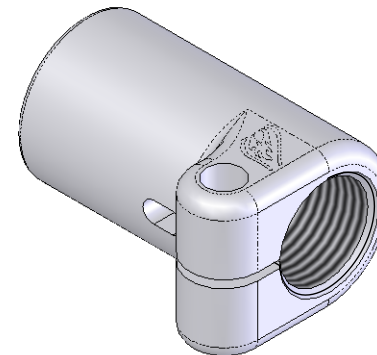


SECTION A-A



**Specialty Products Company**  
 Longmont, Colorado USA • [www.specprod.com](http://www.specprod.com)

|                       |              |
|-----------------------|--------------|
| LINEAR mm[in]         | ANGLE (deg.) |
| None±1.00 [X ±.040"]  | None± 2.0°   |
| .X ±0.50 [XX ±.020"]  | .X ± 1.0°    |
| .XX ±0.25 [XXX±.010"] | .XX ± 0.5°   |

CONFORMS TO  
 ASME Y14.5

**15092**

MATERIAL: 4140 PER SAE ASTM A 331  
 FINISH: None