

PART NOS. 99361 & 99374

Toe Measuring Gauge Instruction Sheet

This tool should only be used by personnel who have the necessary skill, training and tools to do the job correctly and safely. Incorrect use can result in personal injury, vehicle damage and / or loss of vehicle control.

Plan Ahead - Read All Instructions **BEFORE** using tool.

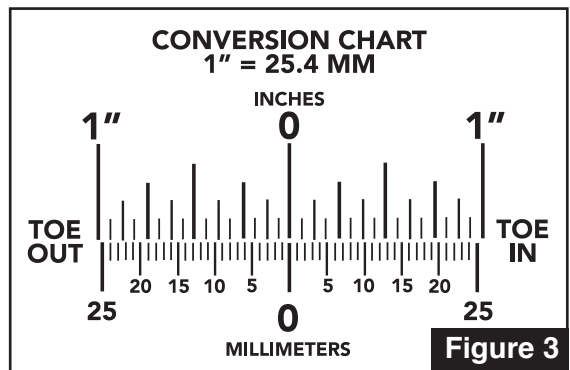
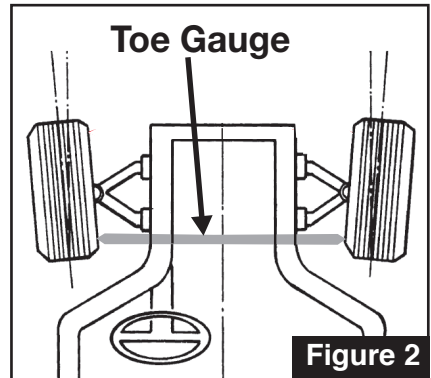
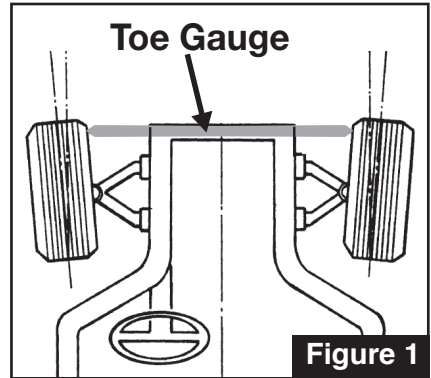
Check for loose or worn parts, proper tire pressure, and odd tire wear patterns before beginning alignment.

TO ASSEMBLE:

1. The RED screw, 2-1/2 inches from the scale, is for packing only. To remove it put some pressure on end of Toe Gauge to prevent spring from snapping out. No tools are required for this.
2. Depress push button and insert smaller tube into larger one. Holes are used to adjust for vehicles with differing widths.

TO USE:

1. Place vehicle so you can move the vehicle at least 3 feet forward before placing Toe Gauge in position.
2. Press out on front of wheels to take up play.
3. Set Toe Gauge in position between the tires at the front of the vehicle with the ends bearing on the tires (**Figure 1**). Chains must just touch floor. Spring pressure will hold gauge in position on tires.
4. Set movable scale so pointer is at zero.
6. Leaving Toe Gauge between wheels, move vehicle forward until Toe Gauge comes into position at back of wheels (**Figure 2**) with chains just touching the floor (Toe Gauge at same height when placed between front of wheels - *Step 3*). Pointer will show amount of Toe-In or Toe-Out (**Figure 3 - to scale**).
7. To clean sliding tube, remove by taking out screw.



**Specialty
Products
Company**

4045 Specialty Pl • Longmont, CO 80504 • (303) 772-2103
For warranty information go to: www.specprod.com/warranties
www.specprod.com • Email: info@specprod.com Printed in U.S.A.
Toll Free Technical Hot Line: 1-800-525-6505

©2020 Niwot Corp. dba Specialty Products Co. • Form No. 99361INS • Rev. 4/20