

94450, 94460 RIGHT • 94451, 94461 LEFT

SPC **PERFORMANCE**

This part should only be installed by personnel who have the necessary skill, training and tools to do the job correctly and safely. Incorrect installation can result in personal injury, vehicle damage and / or loss of vehicle control.

Instruction Sheet CHRYSLER/DODGE ADJUSTABLE UPPER CONTROL ARM CUSTOM PIVOTS W/OE CLEVITE BUSHINGS #94450-RIGHT / #94451-LEFT #94460-RIGHT / #94461-LEFT

Plan Ahead - Read All Instructions **BEFORE** installing part.

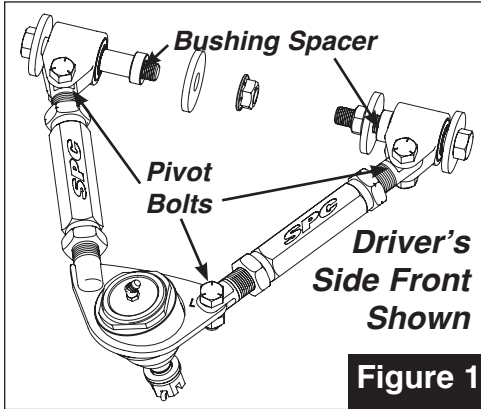


Figure 1

The arm accepts the standard SPC Performance Ball Joint - Part No 94002, Moog K772, or equivalent screw in style ball joint (ball joint is included).

Note- Make sure correct arm is installed on each side. Left is driver's side in USA.

Orient offset bushing pivots to the top of the arm to move the arm away from the chassis when installed in vehicle. Bushing spacers should be installed to inside of arm. (Figure 1)

To determine passenger or driver's side, the threaded 'cup' installs with the downhill side toward the front of the vehicle.

Adjusting the Arm: Slightly loosen the three pivot bolts (Figure 1). Loosen the jam nuts on both ends of each adjusting tube (the ends closest to

the cross shaft are left hand thread). Turn the adjusting tubes to lengthen or shorten the arm. After you have adjusted the arm to the desired length, tighten down the jam nuts against the adjusting tubes, and then tighten each of the three pivot bolts to 60 lb-ft of torque. There should never be more than 1" of thread showing past the tightened down jam nuts on either end of both adjusting tubes. With the vehicle at its final ride height, tighten down the bushing end bolts to a minimum of 72 lb-ft of torque. Note: The vehicle must be at its final ride height when tightening bushing end bolts to prevent the rubber pivot bushings from being damaged.

These arms come with the ball joint pre-installed. However, if necessary, this arm is designed so the ball joint is installed from the top, screw in the ball joint and tighten securely using tool #68880 or equivalent. Install dust boot.

This product is designed solely for replacement of stock arms on stock vehicles.

There is no warranty stated or implied due to the inability to monitor the part's modification, installation, and use, except that Specialty Products Company warrants its products to be free from defects in material and workmanship for 90 days after purchase under normal use. In that case, parts returned must be determined by Specialty Products to be defective and Specialty Products's obligations under that warranty are solely limited to repairing or replacing, at its option, any part proven defective.

Final determination of the suitability of the parts for use contemplated by the buyer is the sole responsibility of the buyer. Specialty Products Company shall not be liable for any special, direct, indirect, incidental, or consequential damages that might be claimed as a result of the failure of any part, including claims for delay, loss of profits or labor. Specialty Products Company shall not be liable for any damage or injury to persons or property resulting from improper installation or misuse of any part subject to this warranty. There are no other warranties expressed or implied extending beyond those set forth above.



Specialty Products Company

4045 Specialty Pl. • Longmont, CO 80504 • (303) 772-2103 • Fax: (303) 772-1918

Toll Free Technical Hot Line: 1-800-525-6505 • www.specprod.com

ECN#2453

For warranty information go to: www.specprod.com/warranties • Email: info@specprod.com

©2019 Niwot Corp. dba Specialty Products Co • Printed in U.S.A. • Form No.94450INS • Rev. 1/19