

**VOLKSWAGEN ADJUSTABLE REAR CAMBER ARM**

*This part should only be installed by personnel who have the necessary skill, training and tools to do the job correctly and safely. Incorrect installation can result in personal injury, vehicle damage and / or loss of vehicle control.*

**Plan Ahead - Read All Instructions BEFORE installing part.**

*Check for loose or worn parts, proper tire pressure, and odd tire wear patterns before beginning alignment.*

1. Raise vehicle and support by lower control arm as far outboard as possible under spring to keep suspension near ride height.
2. Remove rear tire and wheel assembly.



**Tech Tip:** Attach magnetic camber gauge to rotor (SPC #81139) and set bubble to zero for easier alignment.

3. Unclip ABS wire from guide bracket on control arm.
4. Remove OE camber arm per manufacturer's procedure.
5. Adjust SPC camber arm length to approximately match OE camber arm. Ensure that equal thread is showing on either side of hex adjuster as shown in **Figure 1**.
6. Install SPC camber arm and replace OE cam plate with SPC lock plate to center inboard bolt. Install inboard bolt and tighten nut to manufacturer's specification while knuckle is near ride height. Then install outboard bolt connecting bushing to knuckle and tighten nut to manufacturer's specification.

**NOTE: Tightening bushing fasteners with suspension in droop position may cause premature bushing failure.**

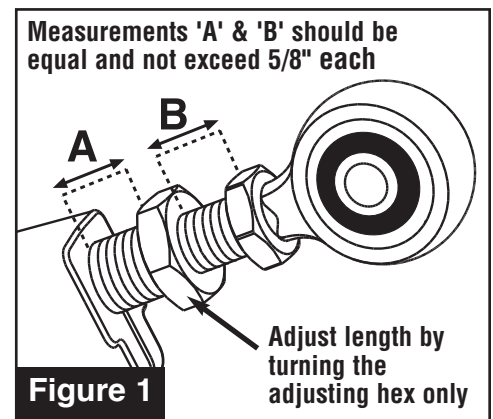
7. Reinstall tire and wheel assembly and lower vehicle.



**Tech Tip:** If using magnetic camber gauge, it is easier to make adjustments with wheel off. Simply adjust for amount of change needed.

8. Adjust camber by turning large adjuster hex.

**WARNING: The gap between large adjusting hex and the outer face of arm should not exceed 15mm (≈5/8"), Measurement "A" in Figure 1. Exceeding the range of adjustment may cause arm to fail and void warranty.**

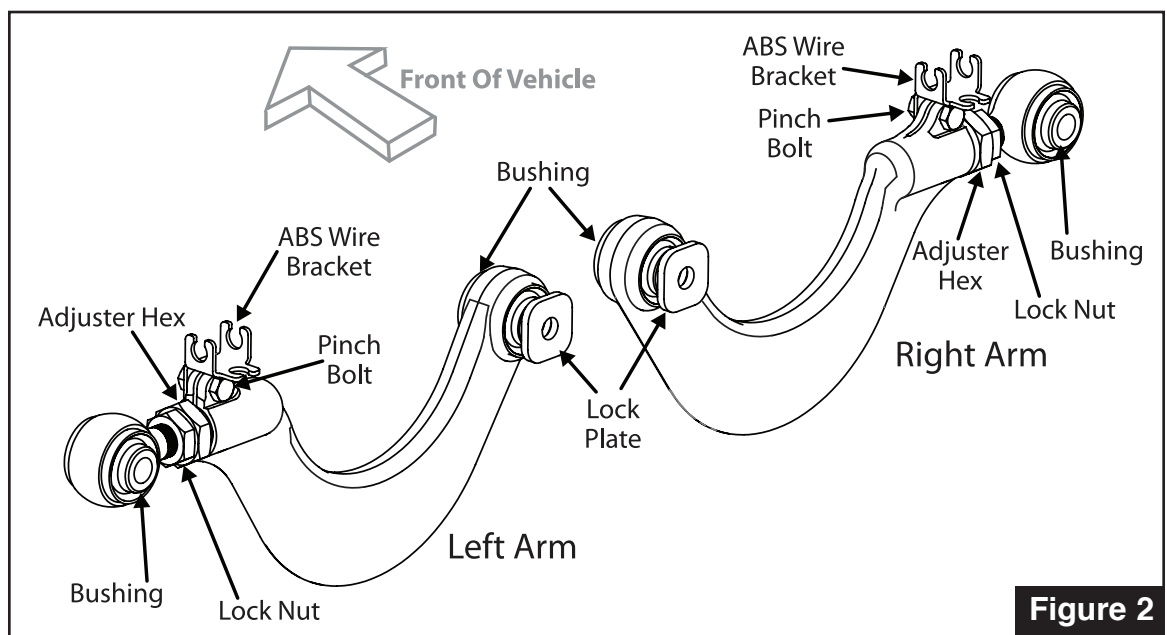


9. When finished adjusting, tighten lock nut against adjuster hex. Ensure ABS wire guide bracket is as shown in **Figure 2** and torque pinch bolt to 20 lb-ft [27 Nm].

10. Re-attach ABS wire to SPC guide bracket.

11. Complete alignment and road test vehicle.

**Always check for proper clearance between suspension components and other components of vehicle.**



**Figure 2**



**Specialty Products Company®**

4045 Specialty Place • Longmont, CO 80504 • (303) 772-2103 • Fax: (303) 772-1918 • www.specprod.com • Email: info@specprod.com

**Toll Free Technical Hot Line: 1-800-525-6505** ©2016 Niwot Corp. dba Specialty Products Co.® • Printed in U.S.A. • Form No. 983351 • Rev. 10/16 • ECN#2135