

PART NO. 72640

Instruction Sheet

PORSCHE REAR TOE ARM

This part should only be installed by personnel who have the necessary skill, training and tools to do the job correctly and safely. Incorrect installation can result in personal injury, vehicle damage and / or loss of vehicle control.

Plan Ahead - Read All Instructions BEFORE Installing Part

Check for loose or worn parts, proper tire pressure, and odd tire wear patterns before beginning alignment.

1. Raise vehicle and support by frame so suspension hangs free.
2. Remove rear tire and wheel assembly.
3. Remove fasteners holding rear sway bar mount to subframe and allow sway bar to hang by endlinks.
4. Remove OE rear toe arm.
5. Use center hex adjuster to adjust SPC toe arm to match length of OE arm. Ensure that SPC adjustable arm has equal thread showing on either side of center hex adjuster. Install SPC adjustable toe arm and loosely install inboard bushing hardware at subframe.

NOTE: Tightening fasteners with vehicle in raised position may cause premature bushing failure.

6. Tighten outboard ball joint nut to 45 lb-ft (61 Nm).
7. Reinstall tire and wheel assembly and lower vehicle. Jounce suspension to achieve normal ride height.
8. Set OE Toe cam at subframe to middle of adjustment range, then tighten to manufacturer's specification.
9. Adjust rear toe using SPC control arm center hex adjuster.

NOTE: Maximum length of arm is reached when machined flat on threaded rod is visible at end of hex adjuster. DO NOT lengthen arm beyond this point.

10. When finished adjusting, tighten adjustable control arm lock nuts.

NOTE: Before tightening last jam nut, ensure outer ball stud is centered in its rotational travel. (See Figure 1)

11. Reinstall rear sway bar mounts and tighten hardware to manufacturer's specification.
12. Complete alignment and road test vehicle.

Always check for proper clearance between suspension components and other components of vehicle.

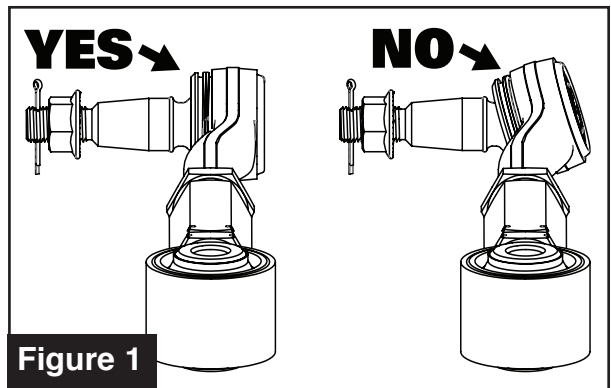


Figure 1



Specialty Products Company®

4045 Specialty Place • Longmont, CO 80504 • (303) 772-2103 • Fax: (303) 772-1918
www.specprod.com • Email: info@specprod.com • Toll Free Technical Hot Line: 1-800-525-6505
For warranty information go to: www.specprod.com/warranties