



**Instruction Sheet  
ADJUSTABLE REAR ARMS**

*This part should only be installed by personnel who have the necessary skill, training and tools to do the job correctly and safely. Incorrect installation can result in personal injury, vehicle damage and / or loss of vehicle control.*

**Plan Ahead - Read All Instructions BEFORE installing part.**

**Check for loose or worn parts, proper tire pressure, and odd tire wear patterns before beginning alignment.**

1. Raise vehicle directly under rear coil springs so suspension is loaded and support securely.
2. Remove rear tire and wheel assembly.
3. Remove OE rear upper control arm by removing all mounting hardware.

**NOTE: It may be necessary to remove the emissions canister to gain access to the inner bolt on the right side.**

4. Adjust SPC control arm so it is approximately same length as OE arm. Thread jam nut so it is closest to bushing and verify threads before and after hex adjuster are approximately even.
5. Install SPC arm onto vehicle using OE hardware. Lightly tighten mounting hardware.



**WARNING: Tightening rubber bushing fastener with vehicle in raised position may cause premature bushing failure.**

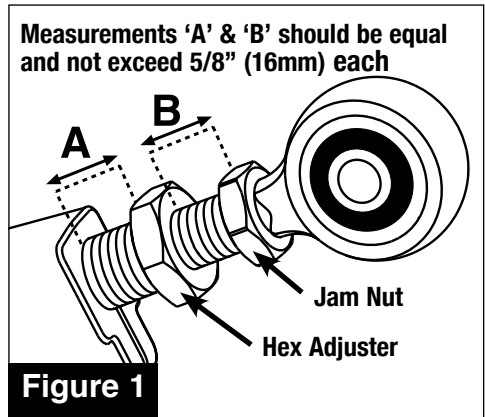
6. Reinstall tire and wheel assembly and lower vehicle.
7. Torque mounting hardware to manufacturer's specifications.
8. Adjust camber by turning large hex adjuster until desired camber is reached.



**WARNING: Threads visible should not exceed 5/8" (16 mm), each side, see Figure 1. Exceeding range of adjustment may cause arm to fail and void the warranty.**

9. Tighten pinch bolt to 20 ft-lb (27 Nm). Firmly tighten jam nut against hex adjuster.
10. Complete alignment and road test vehicle.

**Always check for proper clearance between suspension components and other components of the vehicle.**



**Specialty Products Company®**

4045 Specialty Place • Longmont, CO 80504 • (303) 772-2103

www.specprod.com • Email: info@specprod.com • Toll Free Technical Hot Line: 1-800-525-6505

For warranty information go to: [www.specprod.com/warranties](http://www.specprod.com/warranties)