

PART NO. 35075 & 35076

Instruction Sheet

SPRINTER VAN FRONT KIT

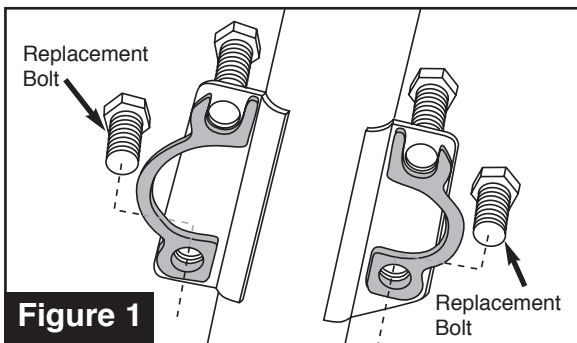
This part should only be installed by personnel who have the necessary skill, training and tools to do the job correctly and safely. Incorrect installation can result in personal injury, vehicle damage and / or loss of vehicle control.

Plan Ahead - Read All Instructions BEFORE installing part.

1. Loosen strut bolts, but do not remove.
2. On front lower side of strut remove O.E. strut bolt and discard.
3. Install shim with thick side to bottom (to decrease Camber - See Figure 1).
4. Install new 30mm bolt provided with kit to the thick end of the shim (Note: Add Loctite on new bolts).
5. Snug bolts at this time but do not tighten.
6. Repeat steps on rear side of strut.
7. Torque all strut bolts to manufacturer's specification.

Always check for proper clearance between suspension components and other components of the vehicle.

8. Finish alignment and road test.



**Specialty
Products
Company**

P.O. Box 923 • Longmont, CO 80502 • (303) 772-2103

www.specprod.com • www.spcperformance.com

Email: info@specprod.co

Printed in U.S.A

Toll Free Technical Hot Line: 1-800-525-6505

©2015 Niwot Corp. dba Specialty Products Co. • Form No. 35075INS • Rev. 12/15