

## PART NO. 25004

### Instruction Sheet ADJUSTABLE BALL JOINT REPLACEMENT

***This part should only be installed by personnel who have the necessary skill, training and tools to do the job correctly and safely. Incorrect installation can result in personal injury, vehicle damage and / or loss of vehicle control.***

**Plan Ahead - Read All Instructions BEFORE installing part.**

**Check for loose or worn parts, proper tire pressure, and odd tire wear patterns before beginning replacement.**

1. Raise vehicle and support by frame.
2. Remove front tire and wheel assembly.
3. Remove cotter pin and castle nut. Break taper between ball joint stud and knuckle.
4. Using a marker, trace washer on top of arm to mark its location. Also mark body of ball joint and star plate, ensuring markings overlap with each other.

**NOTE: These markings will be used to approximate vehicle alignment when installing new ball joint. An alignment will be required after installation to verify the alignment settings.**

5. Remove top nut and remove ball joint from control arm, noting star plate and ball joint orientation. If orientation is lost, use markings made in step 4 to reset star plate to original position.
6. Clock star plate on new ball joint to match orientation of star plate on removed ball joint.
7. Install new ball joint as shown in **Figure 1** and loosely install washer and top nut.
8. Slide ball joint so washer aligns with circle traced in step 4.
9. Torque top nut to 150 ft-lbs [203 N-m].

**NOTE: Ensure top washer remains within perimeter traced in step 4 after top nut is tightened.**

10. Insert ball joint stud into knuckle, torque castle nut to 45ftlb [61Nm], and then tighten further until cotter pin can be installed.

11. Grease ball joint with an NLGI #2, Grade LB with 3%-5% Molybdenum Disulfide grease. 5 to 10 pumps of grease is sufficient at each lubrication.



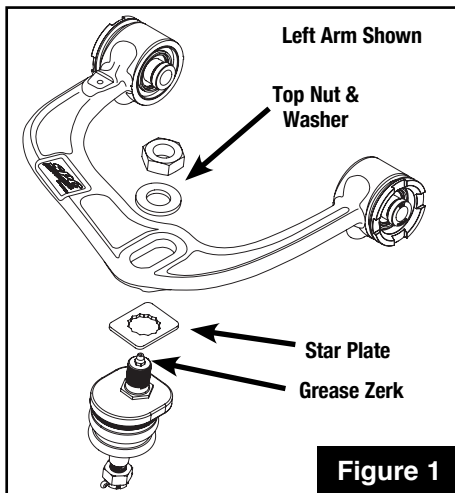
**WARNING: FAILURE TO GREASE AND MAINTAIN THIS BALL JOINT MAY RESULT IN PREMATURE FAILURE.**

12. Reinstall front tire and wheel assembly. Lower, align, and road test vehicle.

**Always check for proper clearance between suspension components and other components of the vehicle.**

#### Maintenance:

Lubrication Interval - SPC recommends adding 5 to 10 pumps of grease to balljoint at each oil change, or after operating vehicle in wet or dusty conditions.



**Specialty Products Company®**

4045 Specialty Pl. • Longmont, CO 80504 • (303) 772-2103 • Fax: (303) 772-1918  
**Toll Free Technical Hot Line: 1-800-525-6505** • www.specprod.com ECN#3338  
For warranty information go to: [www.specprod.com/warranties](http://www.specprod.com/warranties) • Email: [info@specprod.com](mailto:info@specprod.com)

©2023 Specialty Products Company® • Printed in U.S.A. • Form No. 25004INS • Rev. A