

PART NO. 25002

Instruction Sheet ADJUSTABLE BALL JOINT REPLACEMENT

This part should only be installed by personnel who have the necessary skill, training and tools to do the job correctly and safely. Incorrect installation can result in personal injury, vehicle damage and / or loss of vehicle control.

Plan Ahead - Read All Instructions **BEFORE** installing part.

Check for loose or worn parts, proper tire pressure, and odd tire wear patterns before beginning replacement.

1. Raise vehicle and support by frame.
2. Remove front tire and wheel assembly.
3. Remove cotter pin and castle nut. Break taper between ball joint stud and knuckle.
4. Using a marker, trace washer on top of arm to mark its location. Also mark body of ball joint and star plate, ensuring markings overlap with each other.

NOTE: These markings will be used to approximate vehicle alignment when installing new ball joint. An alignment will be required after installation to verify the alignment settings.

5. Remove top nut and remove ball joint from control arm, noting star plate and ball joint orientation. If orientation is lost, use markings made in step 4 to reset star plate to original position.
6. Clock star plate on new ball joint to match orientation of star plate on removed ball joint.
7. Install new ball joint as shown in **Figure 1** and loosely install washer and top nut.
8. Slide ball joint so washer aligns with circle traced in step 4.
9. Torque top nut to 150 ft-lbs [203 N-m].

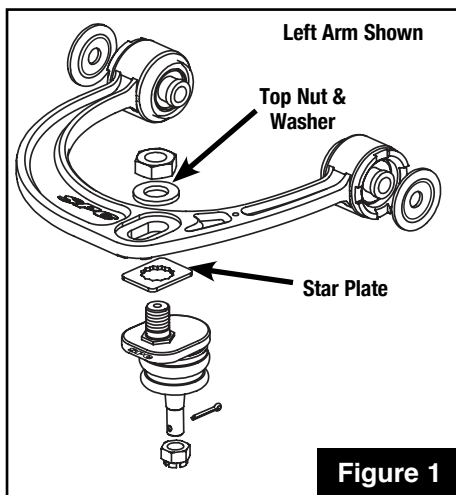
NOTE: Ensure top washer remains within perimeter traced in step 4 after top nut is tightened.

10. Insert ball joint stud into knuckle, torque castle nut to 45ftlb [61Nm], and then tighten further until cotter pin can be installed.
11. Reinstall front tire and wheel assembly. Lower, align, and road test vehicle.

Always check for proper clearance between suspension components and other components of the vehicle.

Maintenance:

These SPC ball joints are sealed and fully greased. No additional maintenance is required. To convert to greaseable ball joints, see SPC p/n 25477.



Specialty Products Company®

4045 Specialty Pl. •umont, CO 80504 • (303) 772-2103 • Fax: (303) 772-1918
Toll Free Technical Hot Line: 1-800-525-6505 • www.specprod.com ECN#3338
For warranty information go to: www.specprod.com/warranties • Email: info@specprod.com

©2023 Specialty Products Company® • Printed in U.S.A. • Form No. 25002INS • Rev. A