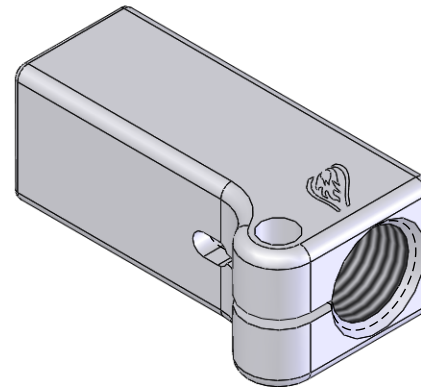


SECTION A-A



**Specialty Products Company**  
 Longmont, Colorado USA • [www.specprod.com](http://www.specprod.com)

LINEAR mm[in] ANGLE (deg.)  
 None±1.00 [X ±.040"] None± 2.0°  
 .X ±0.50 [XX ±.020"] .X ± 1.0°  
 .XX ±0.25 [XXX±.010"] .XX ± 0.5°  
 CONFORMS TO  
 ASME Y14.5

**15170**

MATERIAL: 4140 PER ASTM A 331  
 FINISH: None