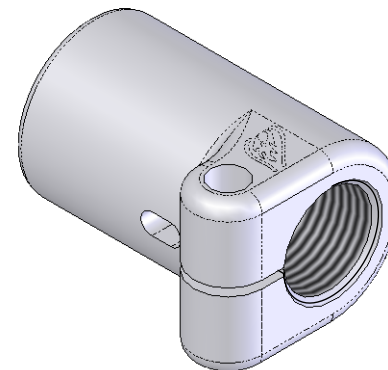


SECTION A-A



Specialty Products Company
 Longmont, Colorado USA • www.specprod.com

| | |
|-----------------------|--------------|
| LINEAR mm[in] | ANGLE (deg.) |
| None±1.00 [X ±.040"] | None± 2.0° |
| .X ±0.50 [XX ±.020"] | .X ± 1.0° |
| .XX ±0.25 [XXX±.010"] | .XX ± 0.5° |

CONFORMS TO
 ASME Y14.5

15090

MATERIAL: 4140 PER SAE ASTM A 331
 FINISH: None